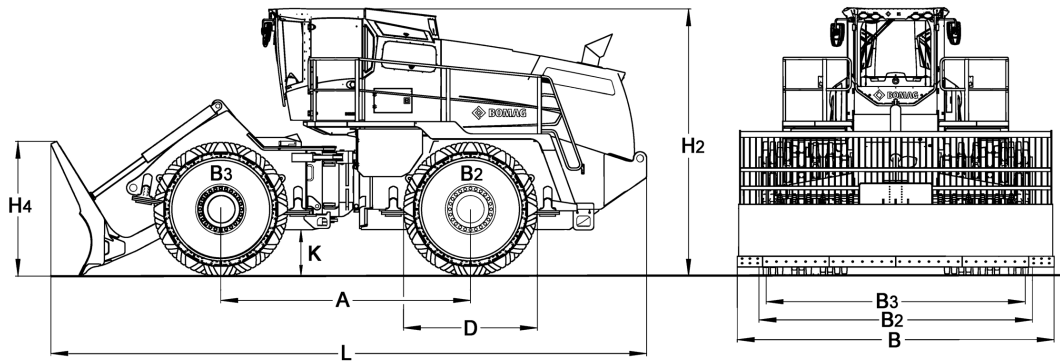


TECHNICAL DATA

REFUSE COMPACTOR

BC 873 RB-5, BC 973 RB-5, BC 1173 RB-5





Dimensions in mm

| | A | B | B2 | B3 | D | H2 | H4 | K | L |
|---------------------|----------|----------|-----------|-----------|----------|-----------|-----------|----------|----------|
| BC 873 RB-5 | 4110 | 4540 | 4030 | 3795 | 2150 | 4375 | 2225 | 740 | 9780 |
| BC 973 RB-5 | 4110 | 5200 | 4500 | 4265 | 2200 | 4400 | 2285 | 765 | 9780 |
| BC 1173 RB-5 | 4110 | 5200 | 4500 | 4265 | 2200 | 4400 | 2285 | 765 | 9780 |

Shipping dimensions in m3

| | |
|---------------------|---------|
| BC 873 RB-5 | 194,255 |
| BC 973 RB-5 | 223,766 |
| BC 1173 RB-5 | 223,766 |

Technical Data**BOMAG
BC 873 RB-5****BOMAG
BC 973 RB-5****BOMAG
BC 1173 RB-5****Weights**

| | | | | |
|-----------------------------|----|--------|--------|--------|
| Grossweight | kg | 42.300 | 48.500 | 57.400 |
| Operating weight CECE | kg | 41.700 | 47.900 | 56.600 |

Driving Characteristics

| | | | | |
|---|------|---------|---------|---------|
| Speed (1), forward | km/h | 0- 12,0 | 0- 12,0 | 0- 12,0 |
| Speed (1), reverse | km/h | 0- 12,0 | 0- 12,0 | 0- 12,0 |
| Max. gradeability (dep. on soil con.) . | % | 100 | 100 | 100 |
| Max. pushing force | kN | 448 | 502 | 613 |

Drive

| | | | | |
|----------------------------------|-------|------------------|------------------|------------------|
| Engine manufacturer | | Cummins | Cummins | Cummins |
| Type | | X15 | X15 | X15 |
| Emission stage | | Stage V / TIER4f | Stage V / TIER4f | Stage V / TIER4f |
| Exhaust gas aftertreatment | | DOC+DPF+SCR | DOC+DPF+SCR | DOC+DPF+SCR |
| Cooling | | Liquid | Liquid | Liquid |
| Number of cylinders | | 6 | 6 | 6 |
| Gross power SAE J 1995 | kW | 336,0 | 429,0 | 429,0 |
| Gross power SAE J 1995 | hp | 456,0 | 575,0 | 575,0 |
| Performance SAE J 1349 | hp | 456,0 | 576,0 | 575,0 |
| Speed | min-1 | 1.700 | 1.700 | 1.700 |
| Travel system | | hydrost. | hydrost. | hydrost. |
| Operating voltage | V | 24 | 24 | 24 |

Compaction Wheels

| | | | | |
|--------------------------------------|----|-------|-------|-------|
| Width, front | mm | 1.200 | 1.400 | 1.400 |
| Width, rear | mm | 1.200 | 1.400 | 1.400 |
| Number of teeth/cutters, front | | 60 | 72 | 72 |
| Number of teeth/cutters, rear | | 60 | 72 | 72 |
| Compaction coverage per side | mm | 1.320 | 1.520 | 1.520 |

Brakes

| | | | | |
|---------------------|--|-----------|-----------|-----------|
| Service brake | | hydrost. | hydrost. | hydrost. |
| Parking brake | | hydromec. | hydromec. | hydromec. |

Steering

| | | | | |
|--|------|--------------|--------------|--------------|
| Steering system | | oscil.artic. | oscil.artic. | oscil.artic. |
| Steering method | | hydraulic | hydraulic | hydraulic |
| Track radius, inner | mm | 3.492 | 3.292 | 3.292 |
| Steering / oscillating angle +/- | grad | 40/15 | 40/15 | 40/15 |

Dozer Blade

| | | | | |
|---|----|-------|-------|-------|
| Height adjustment over ground level . | mm | 1.375 | 1.375 | 1.375 |
| Height adjustment below ground level | mm | 50 | 50 | 50 |
| Dozer blade capacity acc. to SAE J 1265 | m3 | 13,8 | 15,8 | 15,8 |

Capacities

| | | | | |
|----------------------|---|-------|-------|-------|
| Fuel | l | 980,0 | 980,0 | 980,0 |
| Engine oil | l | 47,0 | 47,0 | 47,0 |
| Hydraulic oil | l | 590,0 | 590,0 | 590,0 |
| AdBlue (DEF) ® | l | 100,0 | 100,0 | 100,0 |

Technical modifications reserved. Machines may be shown with options.

Standard Equipment

Optional Equipment

- Polygonal compaction wheels, velded forged teeth
- Premium compaction wheels with highly wear resistant teeth
- Pre start cabin heating
- Fire extinguisher
- Special painting
- Protective ventilation system (Pre-installation)
- Tool kit
- Semi-U-Blade 5244mm
- Cold start device 115V
- Cold start device 230V
- TELEMATIC POWER

